

The GLB



Mercedes-Benz



This Brochure is prepared by Mercedes-Benz Group AG and it predominantly reflects the capabilities and performance of vehicles sold in Europe. Some characteristics, capabilities, performance features and optional extras (e.g. towing systems) may not be available or may not apply in Australia or under Australian conditions. The information in this Brochure is therefore indicative, illustrative and provided only for guidance and should not be relied on. To obtain current and accurate information on a vehicle and any options applicable to Australia, contact your local authorised Mercedes-Benz dealer. All Mercedes-Benz vehicles, options and accessories are subject to the terms and condition of use and operation as set out in the applicable owner's manual.



Open for what's next.

Nothing stays the same. The world is changing ever faster and is full of opportunities.
Experience freedom like never before: discover the GLB from Mercedes-Benz.



Freedom in its most beautiful form.

Every line, every detail of the distinctive SUV design has one job to do: give you maximum freedom. The GLB is the first of its kind to redefine space so generously. A grand design for all those who have big plans.



Comfort gains. In size.

Stay flexible and make yourself comfortable. In conjunction with the third seat row, the second seat row which is longitudinally adjustable on request gives you the kind of space that fits your life perfectly – and thanks to the optional climatized seats and lots of other convenient features you always stay in your comfort zone.

Overseas model shown. ARTICO/ Albury fabric, two-tone – black / Bahia brown upholstery not available.

Foresighted. In all directions.

The GLB knows what's coming – even away from the roads. The GLB's safety concept ensures that you move confidently on any ground. Its off-road program optimises traction on dirt tracks or loose surfaces – and adapts its performance and ABS control away from tarmacked roads.

Vehicle is picture with optional Sports package that will include additional black exterior trim elements. Off road engineering package only available on GLB 250 4MATIC.





Opens up opportunities. Intuitively.

The MBUX multimedia system keeps you updated at all times. Not only is it child's play to operate; it also boasts versatile adaptability. Simply follow your intuition – and connect with the world and all those you hold dear.



Made for new experiences.

Curiosity drives us. Curiosity for what's to come. And it's good when you don't have to worry about the latest idea being a good match for your car and vice versa – you can just drive off. Discover the GLB: with the second seat row which can be longitudinally adjusted on request and has seven seats so you can always stay flexible. No matter what you're currently planning to do with your life – or what your life has in store for you.

Vehicle is pictured with optional Sports Package that will include additional black exterior trim elements.



Head-up display.

The best outlook for sporty driving enjoyment and an assured driving experience: the head-up display transforms your windscreen into a stunning digital cockpit. As such you always have a direct view of key information. Your full attention remains on the road and the traffic conditions in front of you.

Optional equipment as part of the Communications Package.

Driving Assistance Package.

Hit the road to autonomous driving: state-of-the-art systems assist you in many situations with adjusting the speed, steering, changing lanes, and even when there is a danger of a collision. The risk of an accident may be reduced – with the aim of the systems to ensure that passengers and road users are better protected. This way you are able to reach your destination relaxed and safe*.

Available as optional equipment.

*Various safety and assistance systems and features included in Mercedes-Benz vehicles are driver assistance aids only and the driver at all times remains solely responsible for maintaining proper control of the vehicle, ensuring safety and monitoring the driving environment and complying with all applicable road rules.



LINGUATRONIC Voice Control System.

The natural voice control can also be extended to Mercedes-Benz online services – such as for weather info or the Internet Radio, it also controls vehicle functions such as climate control or seat heating.

Ease of operation.

Freedom of choice – several input options always lead to the same result: touchscreen, direct control buttons for media, navigation and telephone, touch-control buttons on the steering wheel, touchpad or extended voice recognition.



3rd seat row for 2 people with longitudinal adjustment of the second seat row.

The seat range and the load capacity of your vehicle are as variable as your life is exciting. If necessary you can move the entire rear seat bench forward by 140 mm and thus significantly enlarge either the load compartment or the legroom in the rear. The third seat row for up to two additional passengers can be quickly folded up or down at any time. Make use of the flexibility as you need it – depending on whether you want to take more passengers or extra luggage with you.

Overseas model shown. ARTICO / Albury fabric, two-tone – black / Bahia brown upholstery not available.



MULTIBEAM LED and front fog lamps.

Perfect visibility for you: the adaptive MULTIBEAM LED headlamps have individually controllable LEDs that react to the traffic situation. Partial main beam omits other road users without dazzling them. And the cornering and active light functions illuminate the field of vision optimally so that you can detect dangers sooner. The front fog lamps distribute the light more widely than the main headlamps and therefore illuminate peripheral areas better.

Optional equipment as part of the Vision Package.

The Progressive design and equipment line.

The Progressive design and equipment line substantially enhances your car. Added value you can see and feel. Enjoy high-end technology and experience the unique, expressive SUV lifestyle. In addition, the line opens up further attractive combinations both inside and out – for example with the Leather Package and Night Package.



The AMG Line.

The AMG Line enhances the attractive sporty presence of your vehicle both on the exterior and the interior. The AMG bodystyling and the diamond radiator grille with a single louvre, in particular, are exclusive features. The sports seats promise optimum seating comfort behind the sports steering wheel, in fine nappa leather, with a flattened bottom section. Your driving experience, meanwhile, is intensified by the Direct-Steer system.

*Standard equipment on the GLB 35 4MATIC. Available with optional Sports Package for all other variants.





DYNAMIC SELECT.

Just drive as you want to. At the press of a button DYNAMIC SELECT offers different drive programs with setting options for the engine, transmission, chassis and steering, for instance. In “Sport” mode the vehicle is more dynamic and in basic “Comfort” mode its setup is very balanced. “ECO”, on the other hand, places the emphasis on maximum efficiency and saves fuel and money.



Comfort suspension.

Enjoy a high level of comfort on long motorway stretches while tackling tight curves with sporty flair. The balanced comfort suspension provides an impressive mix of responsive suspension reserves with excellent driving stability. This assists with making your driving safe while at the same time providing a great deal of driving pleasure.

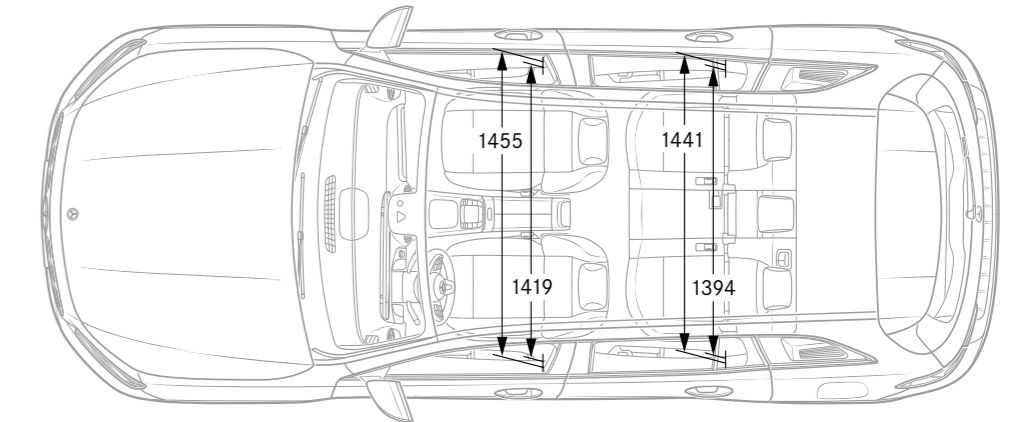
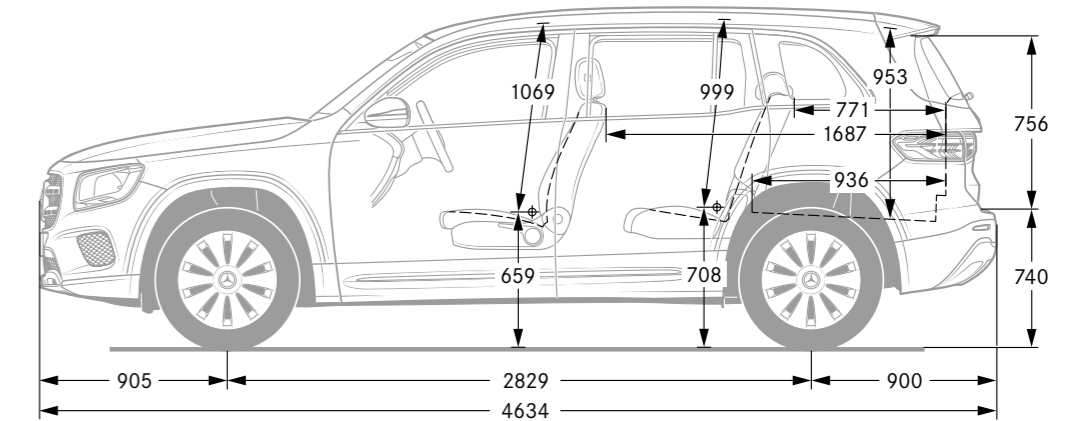
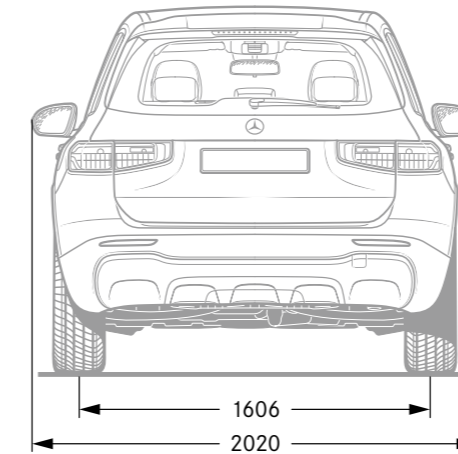
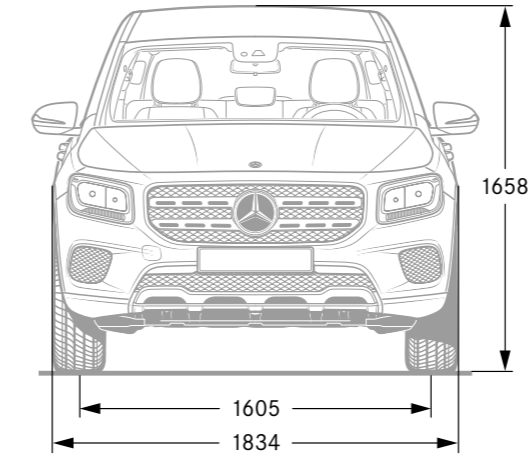
Technical data.

	Petrol engines		
	GLB 200	GLB 250 4MATIC	GLB 35 4MATIC
Displacement (cc)	1332	1991	1991
Rated output (kW [hp])	120 [163]	165 [224]	225 [306]
Acceleration from 0 to 100 km/h (s)	9.1	6.9	5.2
Fuel consumption ⁴ (l/100 km)			
Urban	8.4	9.7	10.1
Extra-urban	5.3	6.5	7.1
Combined	6.5	7.7	8.3
Combined CO ₂ emissions (g/km)	148	173	186

The best for the engine:
Mercedes-Benz genuine engine oils.

The declared fuel and energy consumption figures are determined by testing under standard laboratory conditions to comply with ADR 81/02. Real world fuel consumption is influenced by many additional factors such as fuel quality, individual driving style, load, traffic, and vehicle condition. The declared fuel consumption figure should only be used for the purpose of comparison amongst vehicles. For more technical data, please visit www.mercedes-benz.com.au.

Dimensions.



All figures in millimetres. The illustrated dimensions are mean values. They are valid for vehicles in basic specification and in unladen condition.



SPORT — F O R — GOOD

Mercedes-Benz is one of the founding partners of the worldwide “Laureus Sport for Good Foundation”, which was established in 2000. It is the Mercedes-Benz brand's most important social initiative. Laureus Sport for Good supports children and young people in need through social sports projects, opening up new perspectives and imparting important values such as team spirit, respect and determination. “Change the Game for Kids” is our mission statement which we wish to share with you. In buying a Mercedes-Benz you are supporting the “Laureus Sport for Good” movement.

Please note: changes may have been made to the product since the editorial deadline (15.05.2019). The manufacturer reserves the right to make changes to the design, form, colour and the product specification during the delivery period, provided these changes, while taking into account the interests of the vendor, can be deemed reasonable with respect to the purchaser. The illustrations may show accessories and items of optional equipment which are not part of standard specification. This publication is distributed internationally. For current and more specific information, please contact your nearest authorised Mercedes-Benz retailer.

www.mercedes-benz.com.au